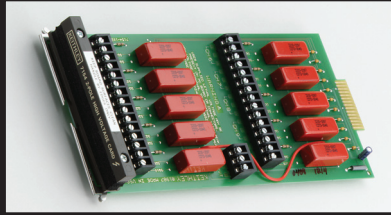


7154

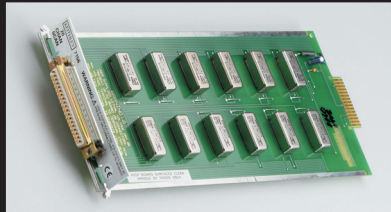


- 1100 volts peak
- 2-pole switching
- High and low fused

Ordering Information

7154 High Voltage Scanner Card

7156-D



- Dry reed contacts for economy
- Industry standard D-Sub mass terminated connectors

Ordering Information

7156-D General Purpose Multiplexer Card

High Voltage Scanner Card

10-Channel

The Model 7154 switches voltages to 1100V peak or currents to 0.5A. The current carry capacity of each relay contact is 1A. Two-pole relays switch both circuit High and Low for full floating measurements and each input line is fuse protected against current overload. A Guard input common to all channels is provided for shielding or as a Guard driven from a single instrument. Guards may be isolated by removing jumpers installed at each input. Multiple switched guard circuits can be achieved by removing the jumper and connecting circuit Guard to the Low input terminal.

CHANNELS PER CARD: 10.

CONTACT CONFIGURATION: 2-pole Form A with user-selectable shield or driven Guard. Each pole is fused using #38AWG magnet wire.

CONNECTOR TYPE: Screw terminals, #16AWG maximum wire size.

RELAY DRIVE CURRENT: 57mA per relay typical.

MAXIMUM SIGNAL LEVEL: 1100V peak, 0.5A DC or rms switched, 1A DC or rms carry, 10W

CONTACT LIFE: >10⁸ closures (cold switching); >5×10⁶ closures (at maximum signal level).

CONTACT RESISTANCE: <200mΩ initial, 2Ω to rated life.

CONTACT POTENTIAL: <35μV per contact pair with copper leads.

ACTUATION TIME: <2ms exclusive of mainframe.

CHANNEL ISOLATION: 10¹⁰Ω, <10pF

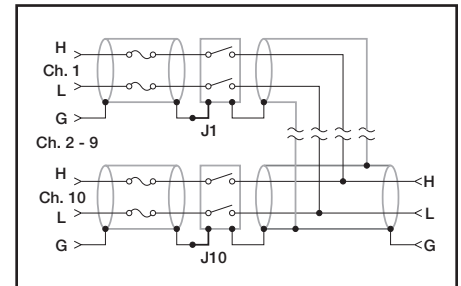
INPUT ISOLATION: Differential: >10⁹Ω, <10pF.

Common Mode: >10⁹Ω, <150pF.

COMMON MODE VOLTAGE: 1100V peak.

ENVIRONMENT: Operating: 0° to 50° up to 35°C at 70% R.H.

Storage: -5° to +65°C.



Dry Reed Multiplexer Card

20-Channel 1-Pole, 10-Channel 2-Pole

The Model 7156-D consists of ten channels of 2-pole multiplex switching when operated in 2-pole mode. A separate 1-pole output expands the card capacity to 20 channels of scanning when operating in the 1-pole mode. A removable jumper in the high lead of each channel allows individual channels to be configured as isolated, single pole, Form A relay contacts for actuator switch applications.

The reed relays used on the Model 7156-D provide excellent performance at an economical price. A 37-pin subminiature D-connector provides quick termination and disconnect when using the 7156-MTC Mass Terminated Cable Assembly.

In 20 channel mode, use as a one of 20 channel selector switch.

CHANNELS PER CARD: 10 in 2-pole mode, 20 in 1-pole mode.

CONTACT CONFIGURATION: 2-pole Form A. HI or LO switched to a separate output for 1-pole mode. Removal of factory installed jumper creates a SPST isolated switch at each channel.

CONNECTOR TYPE: 37-pin D-sub.

RELAY DRIVE CURRENT: 30mA per relay typical.

MAXIMUM SIGNAL LEVEL: 150V peak, 0.5A rms switched, 1A rms carry, 10VA (resistive load only).

CONTACT RESISTANCE: <2Ω to rated life.

CONTACT POTENTIAL: <100μV/contact pair, <50μV typ.

CONTACT LIFE: >10⁸ closures cold switching; 10⁷ closures at maximum signal levels.

ACTUATION TIME: <2ms, exclusive of mainframe.

CHANNEL ISOLATION: >10⁹Ω, <150pF.

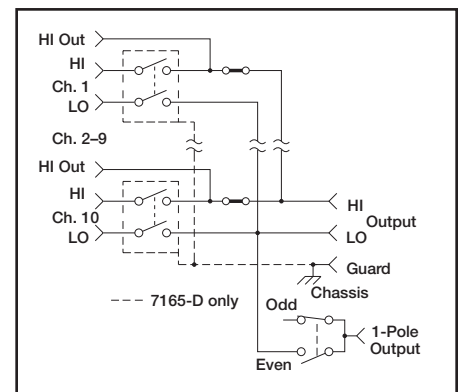
INPUT ISOLATION: Differential Mode: >10⁹Ω, <50pF.

Common Mode: >10⁹Ω, <150pF.

COMMON MODE VOLTAGE: 150V peak.

ACCESSORIES AVAILABLE

7156-MTC-10 37-Pin Male to Female DSUB Cable, 10 ft.



1.888.KEITHLEY (U.S. only)

www.keithley.com

KEITHLEY

A GREATER MEASURE OF CONFIDENCE

Use with 7001 and 7002 Switch Mainframes

SWITCHING & CONTROL